

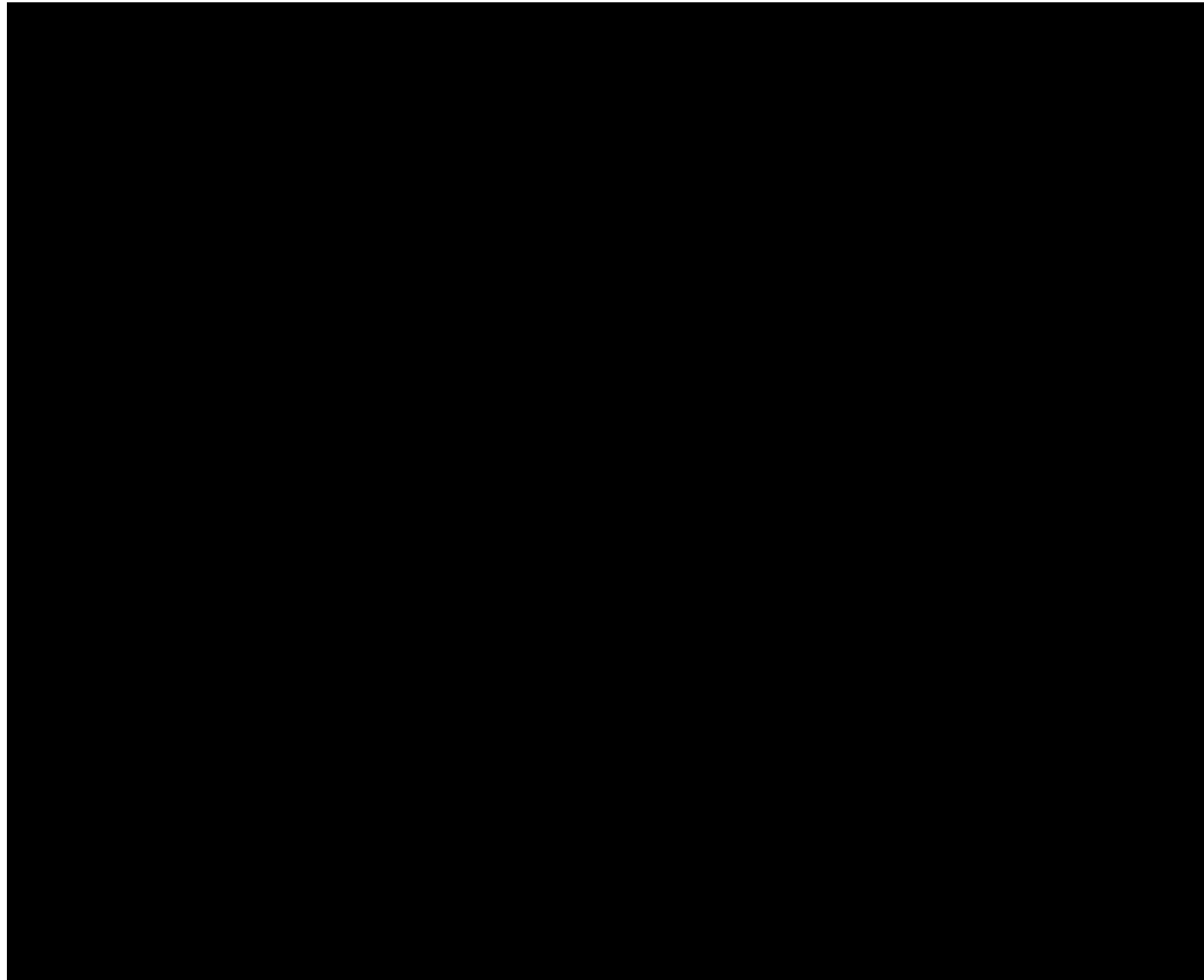
File:

Description:

Date:

Part List:

Note:



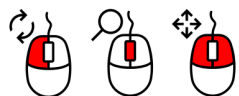
Part Name

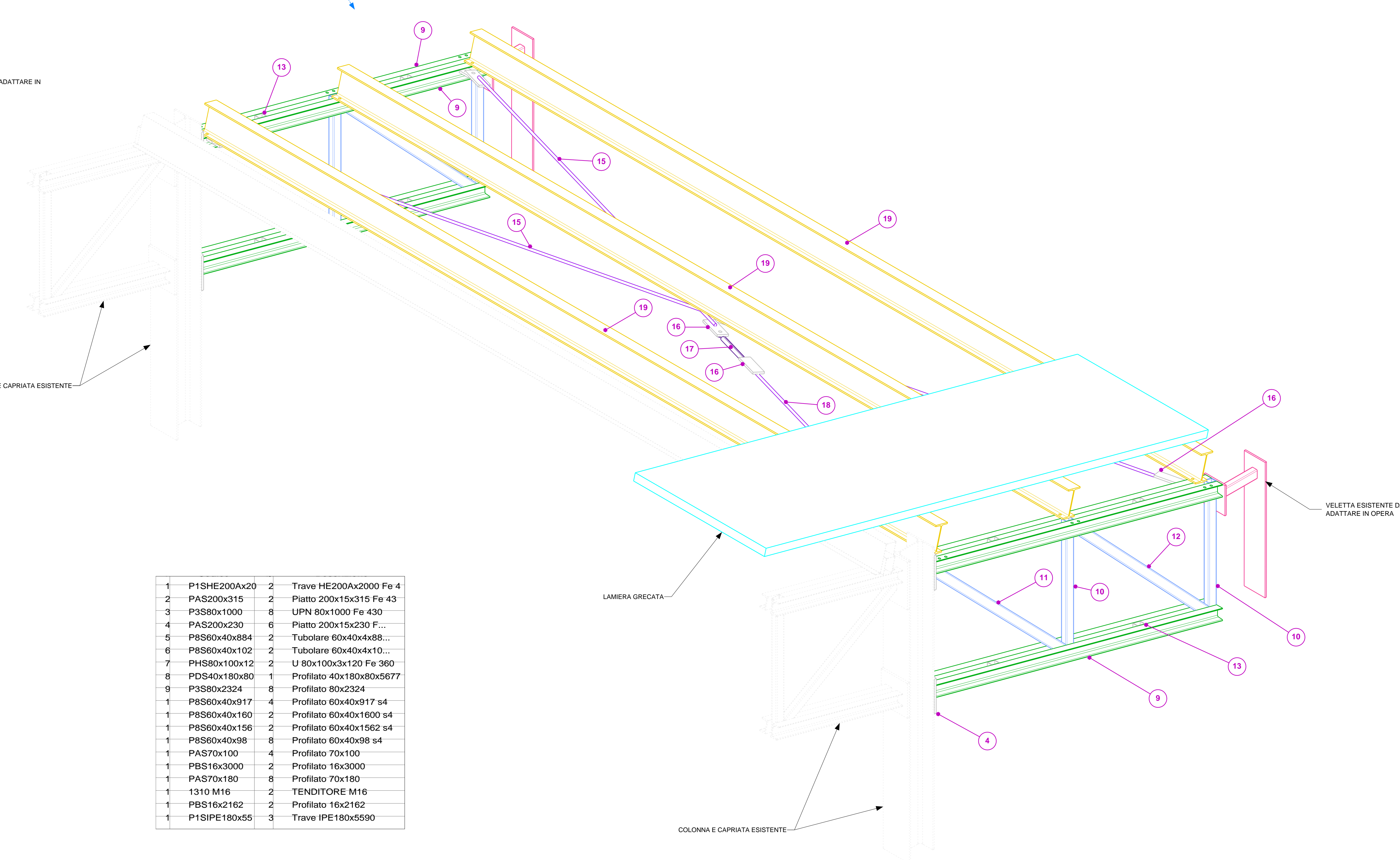
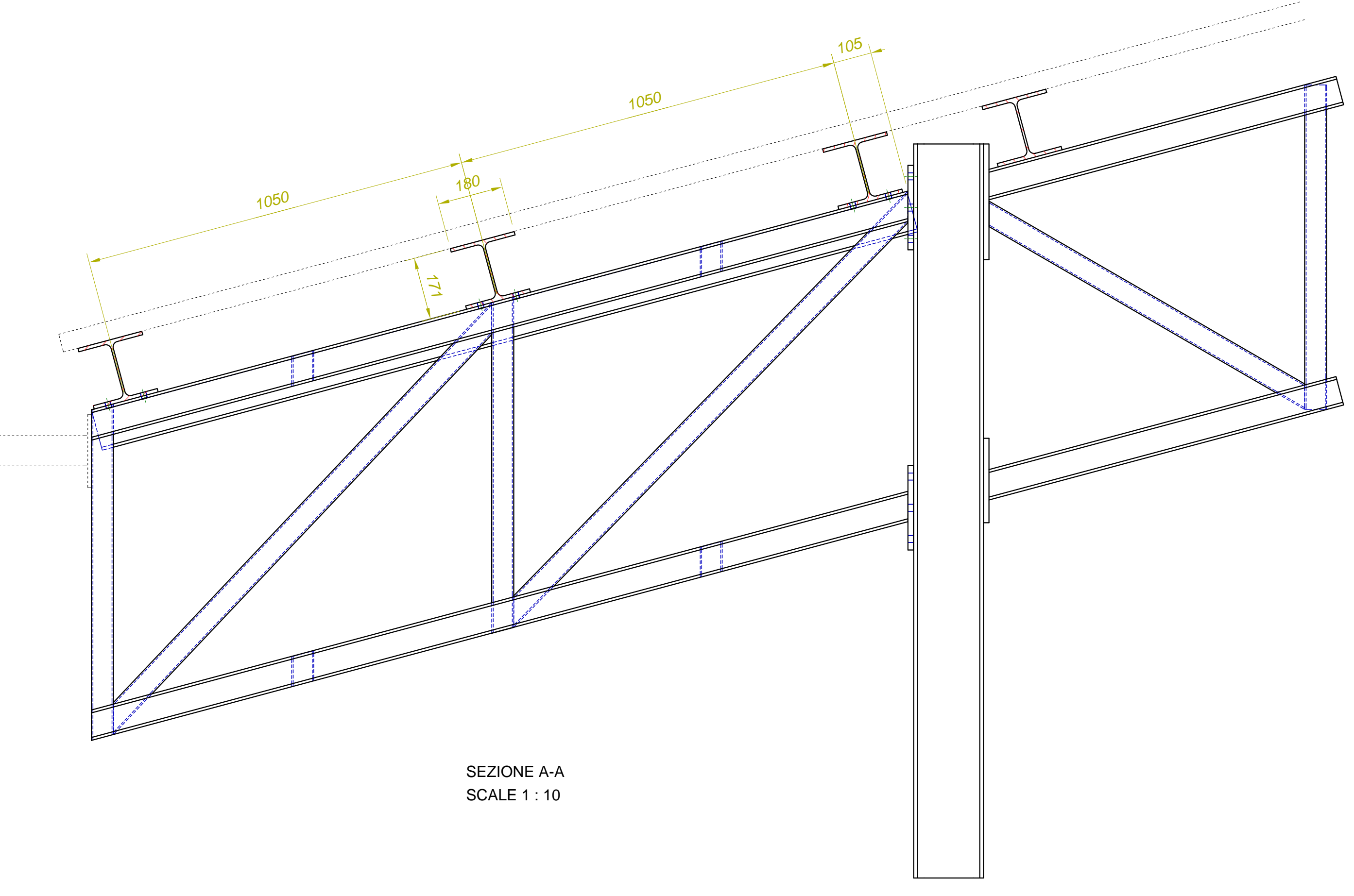
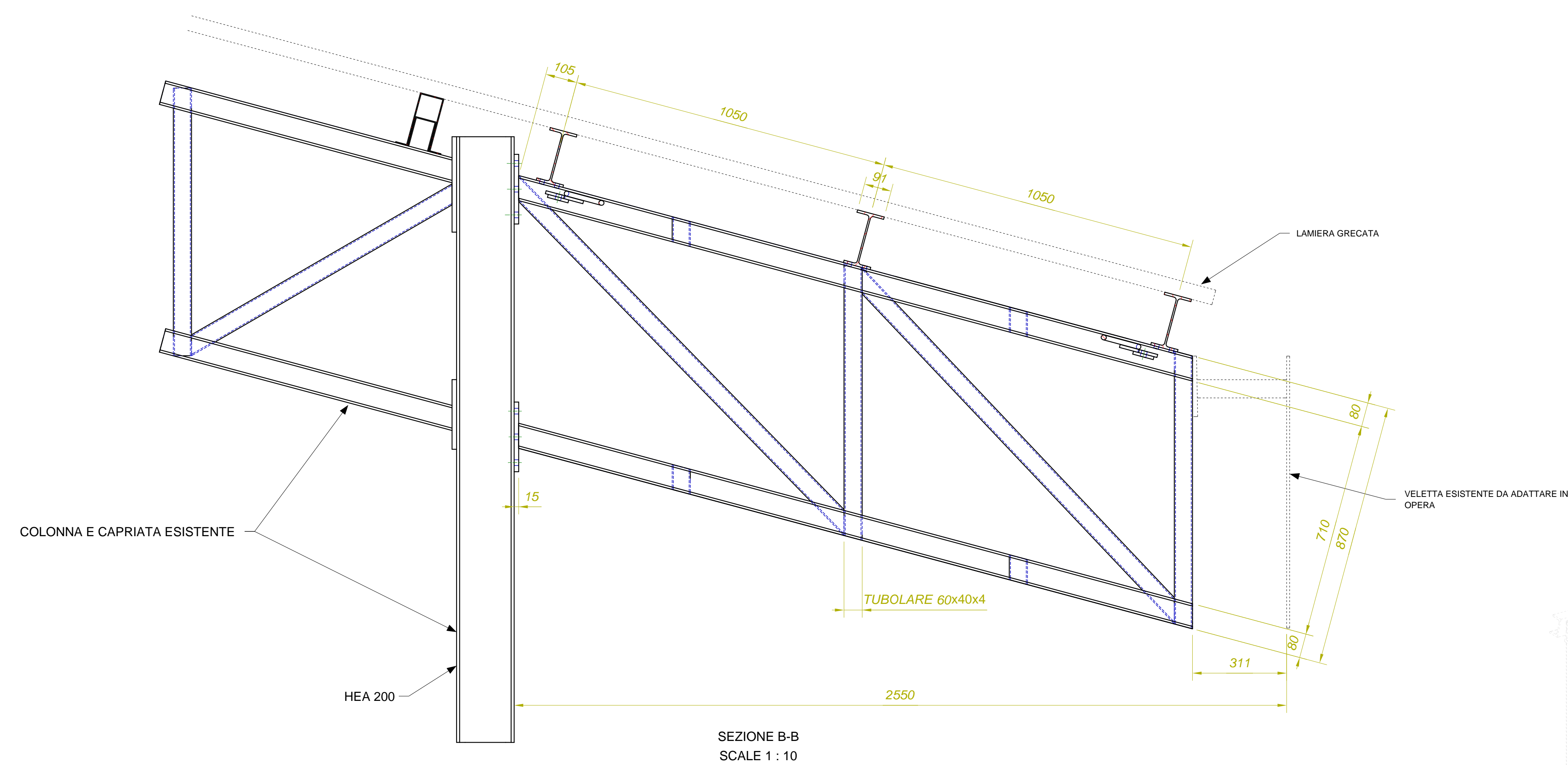
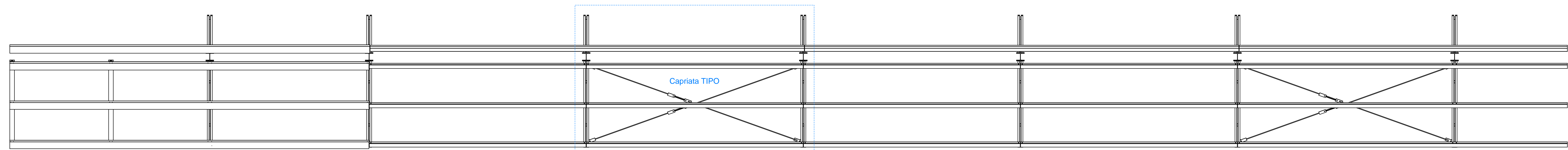
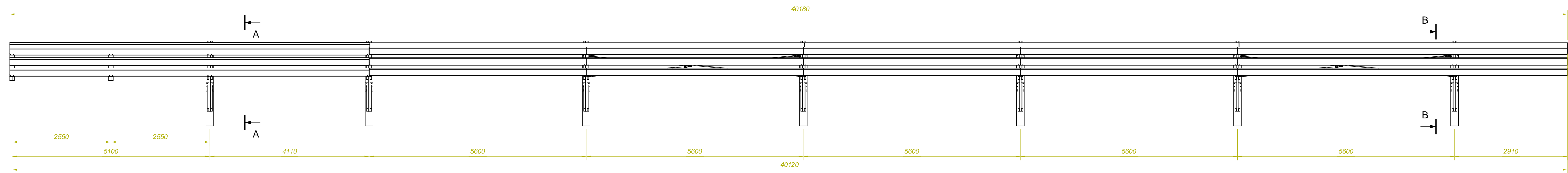
Description

Material



In the 3D model you can press
the left mouse button to rotate 3D view
the mouse wheel to zoom in and out
both the left and right button to pan
Use Acrobat Reader to display the 3D





1	P1SHE200x20	2	Trave HE200x2000 Fe 4
2	PAS200x315	2	Piatto 200x15x315 Fe 43
3	P3S80x1000	8	UPN 80x1000 Fe 430
4	PAS200x230	6	Piatto 200x15x230 F...
5	P6S60x40x884	2	Tubolare 60x40x4x88...
6	P6S60x40x102	2	Tubolare 60x40x4x10...
7	PHS80x100x12	2	U 80x100x3x120 Fe 360
8	PDS40x180x80	1	Profilato 40x180x80x5677
9	P3S80x2324	8	Profilato 80x2324
1	P6S60x40x917	4	Profilato 60x40x917 s4
1	P6S60x40x160	2	Profilato 60x40x1600 s4
1	P6S60x40x156	2	Profilato 60x40x1562 s4
1	P6S60x40x98	8	Profilato 60x40x98 s4
1	PAS70x100	4	Profilato 70x100
1	PBS16x3000	2	Profilato 16x3000
1	PAS70x180	8	Profilato 70x180
1	1310 M16	2	TENDITORE M16
1	PBS16x2162	2	Profilato 16x2162
1	P1SIPE180x55	3	Trave IPE180x5590