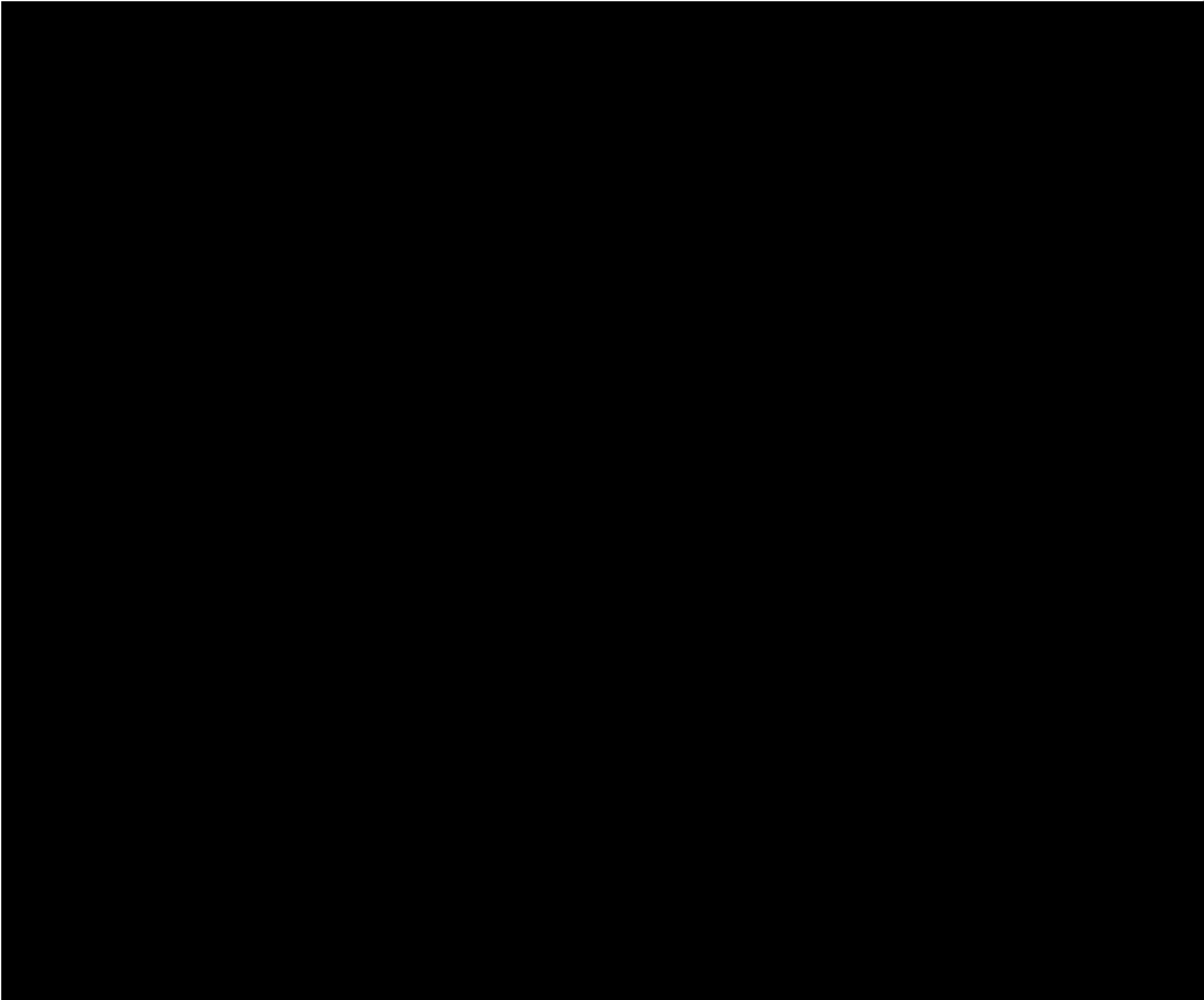


File:

Description:

Date:

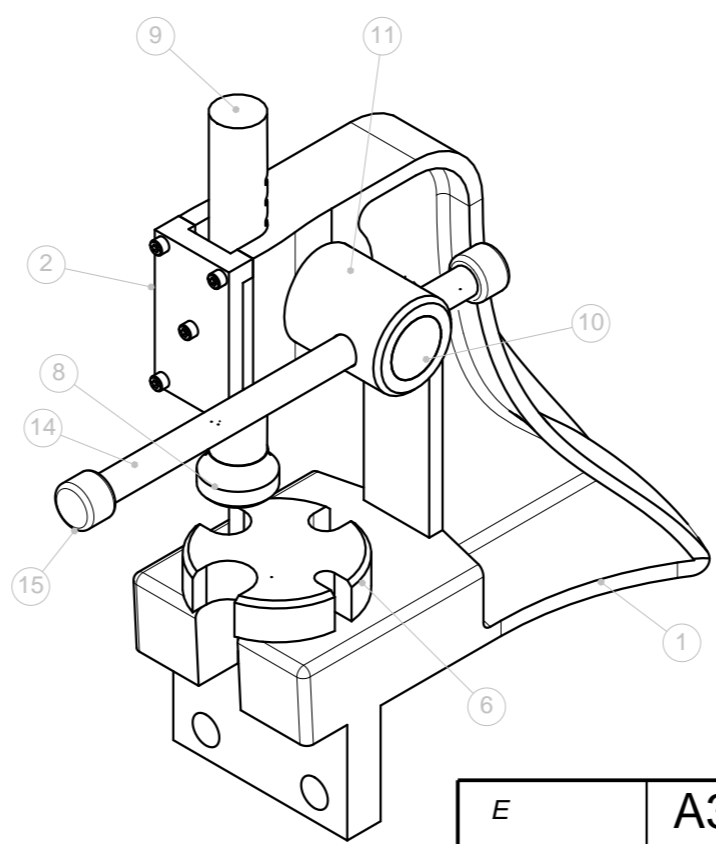
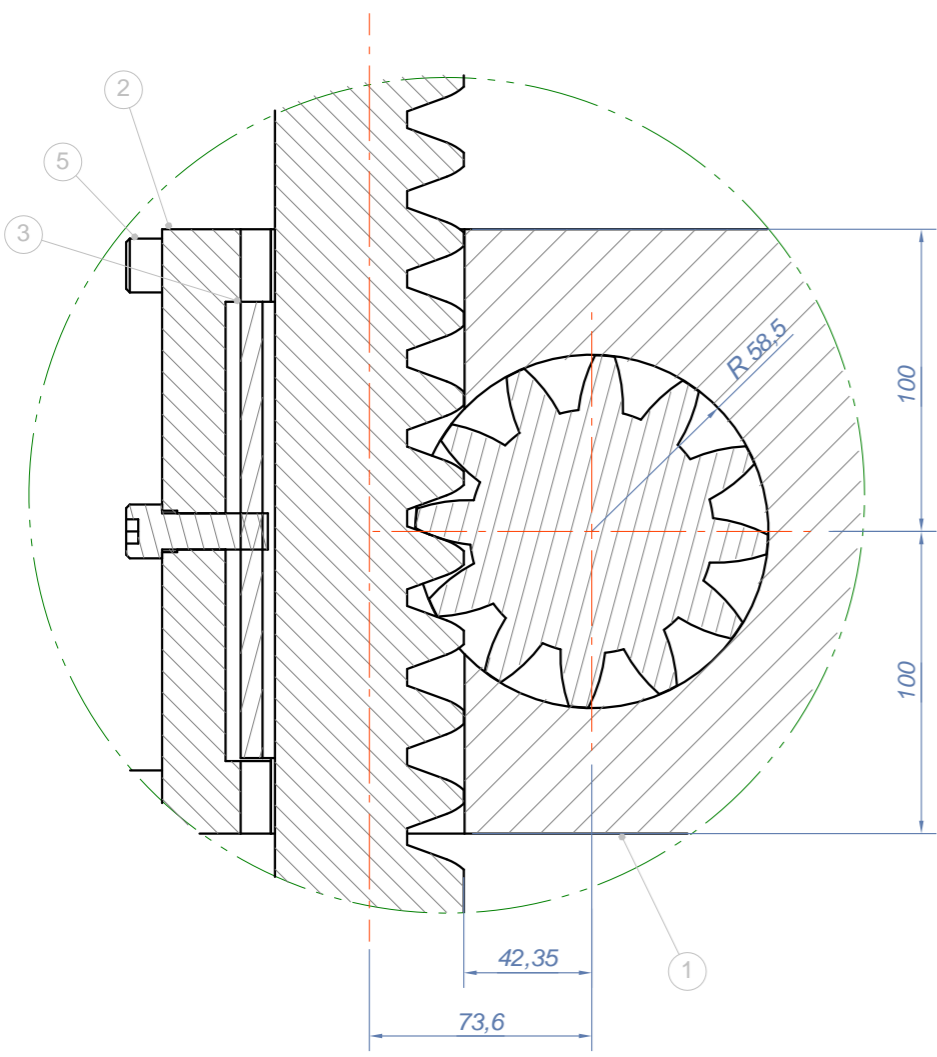
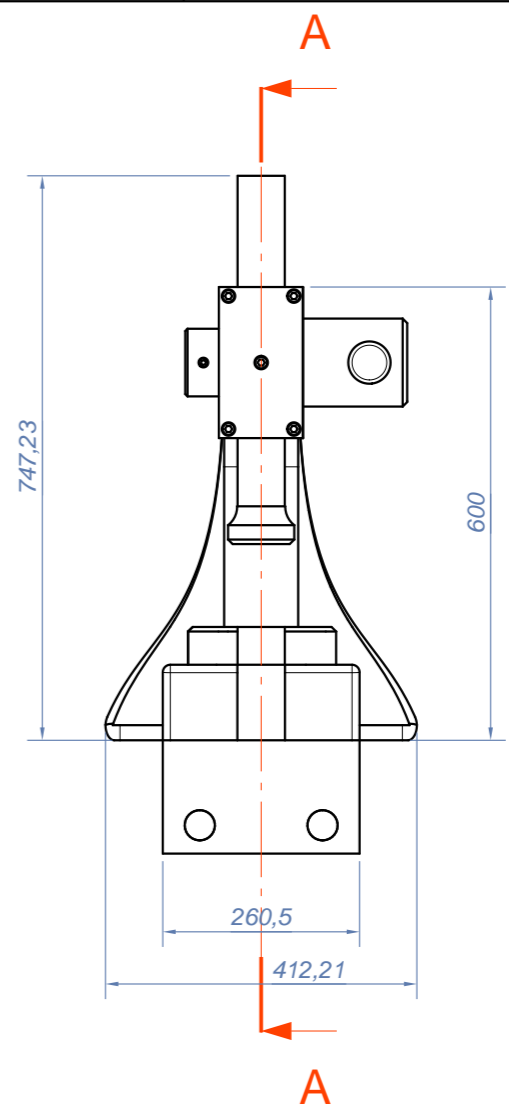
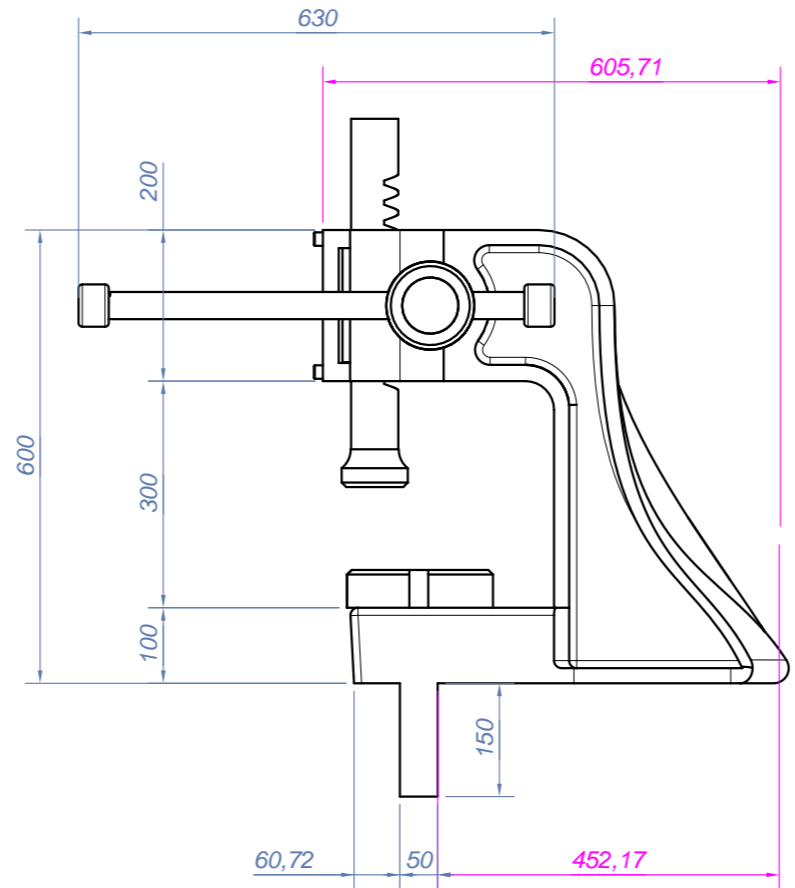
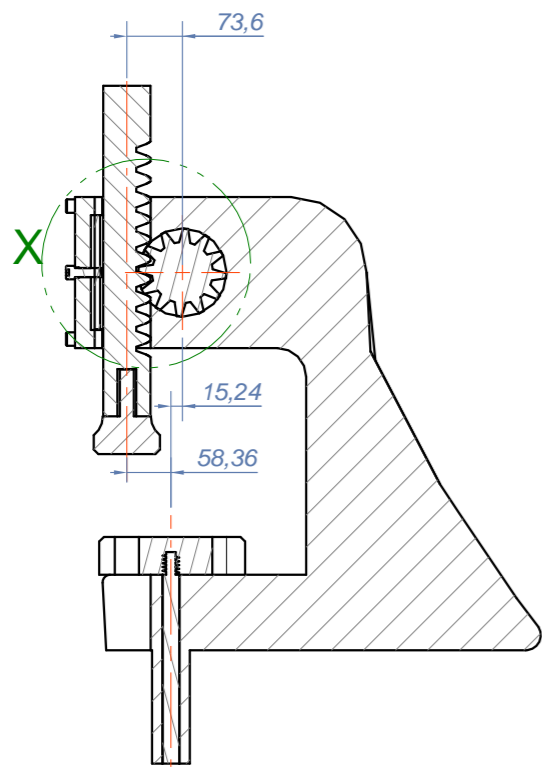
*Part List*



*Part Name*

*Description*

*Material*



Pos	Codice	Qta	Descrizione
1	B2-S101P		Base
2	B2-S103P		Cover
3	B2-S104P		Slide
4	B2-S105P		Screw : Socket - M12.0 x 35.0
5	B2-S110P		Screw : Socket - M12.0 x 75.0
6	B2-S112P		Press Mould
7	B2-S113P		Press Shaft
8	B2-S115P		Press Button
9	B2-S116P		Rack
10	B2-S119P		Gear Shaft
11	B2-S120P		Sleeve
12	B2-S121P		Screw : Socket - M8.0 x 36.5
13	B2-S122P		Sleeve
14	B2-S124P		Handle End with Thread
15	B2-S125P		Hand End

E	<b>A3</b>	Tolleranze generali :	Materiale		S185 (1.0035)	
	Scala 1:10	ISO 2768-1 medium	Disegnato da	Rossi	Controllato da	Neri M.R.
<b>IronPROXT</b> Performance Booster powered by - www.ironcad.it			Titolo:		Press Mould 20mm	
			Data		21/06/2017	
			Foglio	1	Revisione	1 000
			Numero Disegno		B2-S101P	